

CANIS GO 410

Our entry-level Canis GO 410 is as good as it gets. While it is lighter in weight than the original Canis work light, the operational lumens output is just as high. Best suited to construction, forestry, agriculture, and material handling, the Canis GO 410 has a round form factor and pedestal mounting, it produces zero emissions (EMC CISPR 25 class 5) and its light output is 1200 lumens.



Not all products are available in all markets. During continuous improvement specifications and design are changing. All values are nominal values. Illustrations do not necessarily show the design of every version and some features are version specific. The lumens output varies depending on lens colour.

TECHNICAL DATA

Theoretical Lumens Output	1900 lm	Vibration	8Grms 24-2000Hz
Operational Lumens Output	1200 lm	Lens	PC
Colour Temperature	5000 K	Body / Housing	Aluminum
Nominal Voltage DC	12 - 24 V 36 - 48 V	Weight	0.5 kg
Input Voltage DC	9 - 16 V 18 - 32 V 30 - 64 V	IP Rating	IP68, IP6K9K
Power Consumption	18 W	Salt Spray Test	ISO 9227 240H
Nominal Current at	12V=1.1A, 24V=0.6A, 36-48V=0.38A	EMC	CISPR 25 Class 5, EN12895, ISO 13766, ISO 14982, ISO 7637-2
Connector	Built-in Deutsch DT-2 (2-pin)	Electronics	Isolated
Mount	Single Bolt M8 / M10	Operating Temperatures	-40°C... +85°C (Overheat protected)
Shock	60G	Part Numbers	Wide Flood: 988-101B, Flood: 988-102B

CONNECTORS



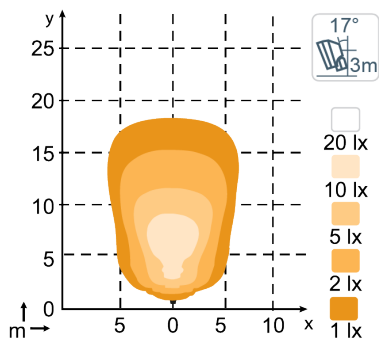
Built-in Deutsch DT-2 (2-pin)

KEY FEATURES

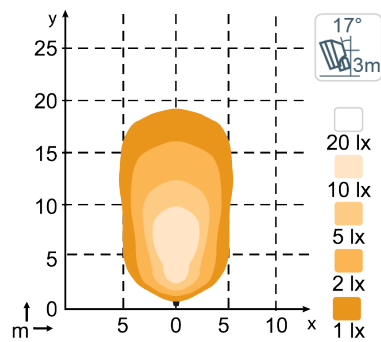
- Dimmable & Cost-effective all-rounder
- Operational lumens output: 1200lm
- Pure performance in a compact design

LIGHT PATTERNS

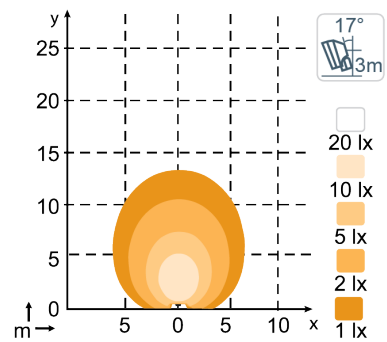
**Canis GO 410, 1200lm
Wide Flood**



**Canis GO 410, 1200lm
Flood**



**Canis GO 410, 1200lm
Diffused**



DRAWINGS

